

8/15/2024 11:09 AM
 c:\users\dyanawata\building drops, inc\building drops landing - common\projects\plyco corp\fbcc-24-0535 - fbc submittal - 014800 series 95ev steel doors - nami certificate update\dwg\14800_1\pco001.dwg

INSTALLATION NOTES:

- ONE (1) INSTALLATION ANCHOR IS REQUIRED AT EACH ANCHOR LOCATION SHOWN UNLESS OTHERWISE NOTED.
- THE NUMBER OF INSTALLATION ANCHORS DEPICTED IS THE MINIMUM NUMBER OF ANCHORS TO BE USED FOR PRODUCT INSTALLATION.
- INSTALL INDIVIDUAL INSTALLATION ANCHORS WITHIN A TOLERANCE OF ±1/2 INCH OF THE DEPICTED LOCATION IN THE ANCHOR LAYOUT DETAIL (I.E., WITHOUT CONSIDERATION OF TOLERANCES). TOLERANCES ARE NOT CUMULATIVE FROM ONE INSTALLATION ANCHOR TO THE NEXT.
- SHIM AS REQUIRED AT EACH INSTALLATION ANCHOR WITH LOAD BEARING SHIM(S). MAXIMUM ALLOWABLE SHIM STACK TO BE 1/4 INCH. SHIM WHERE SPACE OF 1/16 INCH OR GREATER OCCURS. SHIM(S) SHALL BE CONSTRUCTED OF HIGH DENSITY PLASTIC OR BETTER.
- FOR INSTALLATION INTO WOOD FRAMING USE **#10 WOOD SCREWS** OF SUFFICIENT LENGTH TO ACHIEVE 1 1/2 INCH MINIMUM EMBEDMENT INTO WOOD SUBSTRATE.
- FOR INSTALLATION THROUGH 1X BUCK TO CONCRETE/MASONRY, OR DIRECTLY INTO CONCRETE/MASONRY, USE **3/16 INCH DIAMETER ITW TAPCONS** OF SUFFICIENT LENGTH TO ACHIEVE 1 1/4 INCH MINIMUM EMBEDMENT.
- FOR INSTALLATION INTO STEEL STUD FRAME USE **#10 SELF DRILLING SCREWS** OF SUFFICIENT LENGTH TO ACHIEVE A MINIMUM 3 THREADS PENETRATION BEYOND STEEL STRUCTURE.
- MINIMUM EMBEDMENT AND EDGE DISTANCE EXCLUDE WALL FINISHES, INCLUDING BUT NOT LIMITED TO STUCCO, FOAM, BRICK VENEER, AND SIDING.
- INSTALLATION ANCHORS AND ASSOCIATED HARDWARE MUST BE MADE OF CORROSION RESISTANT MATERIAL OR HAVE A CORROSION RESISTANT COATING.
- FOR HOLLOW BLOCK AND GROUT FILLED BLOCK, DO NOT INSTALL INSTALLATION ANCHORS INTO MORTAR JOINTS. EDGE DISTANCE IS MEASURED FROM FREE EDGE OF BLOCK OR EDGE OF MORTAR JOINT INTO FACE SHELL OF BLOCK.
- INSTALLATION ANCHORS SHALL BE INSTALLED IN ACCORDANCE WITH ANCHOR MANUFACTURER'S INSTALLATION INSTRUCTIONS, AND ANCHORS SHALL NOT BE USED IN SUBSTRATES WITH STRENGTHS LESS THAN THE MINIMUM STRENGTH SPECIFIED BY THE ANCHOR MANUFACTURER.
- INSTALLATION ANCHOR CAPACITIES FOR PRODUCTS HEREIN ARE BASED ON SUBSTRATE MATERIALS WITH THE FOLLOWING PROPERTIES:
 - WOOD - MINIMUM SPECIFIC GRAVITY OF 0.55.
 - CONCRETE - MINIMUM COMPRESSIVE STRENGTH OF 3000 PSI.
 - MASONRY - STRENGTH CONFORMANCE TO ASTM C-90.
 - STEEL - MINIMUM YIELD STRENGTH OF 33 KSI. MINIMUM WALL THICKNESS OF 48 MILS (18 GAUGE).

GENERAL NOTES:

- THE PRODUCT SHOWN HEREIN IS DESIGNED AND MANUFACTURED TO COMPLY WITH THE CURRENT FLORIDA BUILDING CODE (FBC), EXCLUDING HVHZ AND HAS BEEN EVALUATED ACCORDING TO THE FOLLOWING:
 - AAMA/WDMA/CSA 101/I.S.2/A440-08/17
- ADEQUACY OF THE EXISTING STRUCTURAL CONCRETE/MASONRY AND 2X FRAMING AS A MAIN WIND FORCE RESISTING SYSTEM CAPABLE OF WITHSTANDING AND TRANSFERRING APPLIED PRODUCT LOADS TO THE FOUNDATION IS THE RESPONSIBILITY OF THE ENGINEER OR ARCHITECT OF RECORD FOR THE PROJECT OF INSTALLATION.
- 1X AND 2X BUCKS (WHEN USED) SHALL BE DESIGNED AND ANCHORED TO PROPERLY TRANSFER ALL LOADS TO THE STRUCTURE. BUCK DESIGN AND INSTALLATION IS THE RESPONSIBILITY OF THE ENGINEER OR ARCHITECT OF RECORD FOR THE PROJECT OF INSTALLATION.
- THE INSTALLATION DETAILS DESCRIBED HEREIN ARE GENERIC AND MAY NOT REFLECT ACTUAL CONDITIONS FOR A SPECIFIC SITE. IF SITE CONDITIONS CAUSE INSTALLATION TO DEVIATE FROM THE REQUIREMENTS DETAILED HEREIN, A LICENSED ENGINEER OR ARCHITECT SHALL PREPARE SITE SPECIFIC DOCUMENTS FOR USE WITH THIS DOCUMENT.
- APPROVED IMPACT PROTECTIVE SYSTEM **IS REQUIRED** ON THIS PRODUCT IN AREAS REQUIRING IMPACT RESISTANCE.
- FRAME MATERIAL: ALUMINUM 6063-T5 & CS-B STEEL
- IN ACCORDANCE WITH THE FBC, DISSIMILAR METALS INCLUDING FASTENERS THAT MAY COME INTO CONTACT WITH ALUMINUM UNIT FRAMING SHALL BE PROTECTED.
- ALL EXPOSED STEEL COMPONENTS ARE GALVANIZED AND SHOP PRIMED.

PLYCO CORPORATION

SERIES 95EV FLUSH STEEL INSWING DOOR (NON-HVHZ)(NON-IMPACT)



Plyco Corporation
500 Industrial Rd.
Elkhart Lake, WI 53020

TITLE: SERIES 95EV FLUSH STEEL
 INSWING DOOR
 (NON-HVHZ)(NON-IMPACT)
 INSTALLATION & GENERAL NOTES

PREPARED BY:
BUILDING DROPS, INC.
 1900 NE MIAMI COURT, STE. 2-15
 MIAMI, FL 33132
 PH: (954)399-8478
 FAX: (954)744-4738
 WEB: www.buildingdrops.com



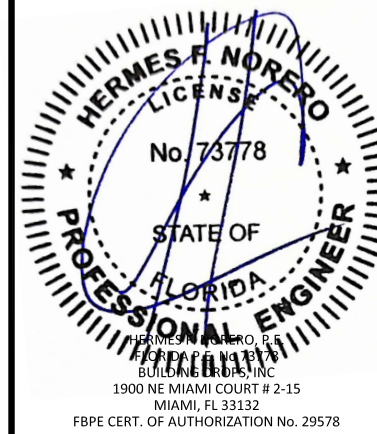
TABLE OF CONTENTS	
SHEET	SHEET DESCRIPTION
1	INSTALLATION & GENERAL NOTES
2	ELEVATION & ANCHOR LAYOUT
3	VERTICAL SECTIONS
4	HORIZONTAL SECTIONS
5	COMPONENTS & BILL OF MATERIALS

DESIGN PRESSURE RATING			
LOCK TYPE	DESIGN PRESSURE - ALL SIZES		MISSILE IMPACT RATING
SINGLE POINT	+55.0 / -55.0 PSF *	W/O WATER INFILTRATION	NON-IMPACT
SINGLE POINT W/ DEAD BOLT	+80.0 / -80.0 PSF *	W/O WATER INFILTRATION	NON-IMPACT

*UNIT SHALL BE INSTALLED AT LOCATION PROTECTED BY OVERHANG SUCH THE OVERHANG RATIO (OH) = OH LENGTH/OH HEIGHT GREATER THAN 1.0 WHERE WATER INFILTRATION IS REQUIRED.

REMARKS	BY	DATE
FBC 2010 CODE CHANGE	GN	04.06.12
5TH ED. FBC CODE UPDATES	BB	05.21.15
7TH FBC CODE UPDATE	NUS	09.16.20
STANDARD UPDATE	DI	08.06.24

THE INSTALLATION DETAILS DESCRIBED HEREIN ARE GENERIC AND MAY NOT REFLECT ACTUAL CONDITIONS FOR A SPECIFIC SITE. IF SITE CONDITIONS CAUSE INSTALLATION TO DEVIATE FROM THE REQUIREMENTS DETAILED HEREIN, A LICENSED ENGINEER OR ARCHITECT SHALL PREPARE SITE SPECIFIC DOCUMENTS FOR USE WITH THIS DOCUMENT.



FL #: **FL14800**

DATE: **07.21.11**

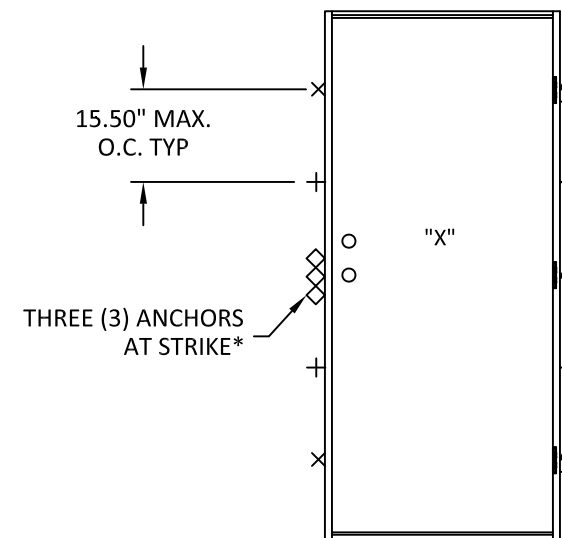
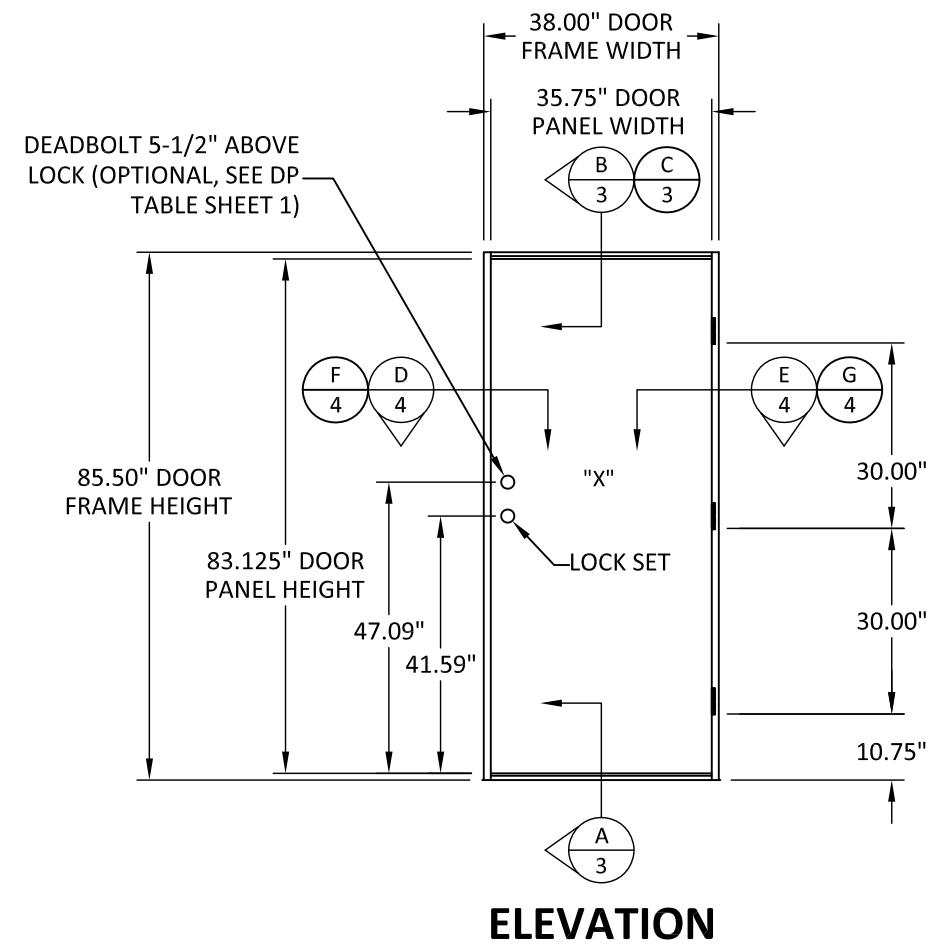
DWG. BY: **JLA** CHK. BY: **HFN**

SCALE: **NTS**

DWG. #: **PCO001**

SHEET: **1** OF 5

c:\users\dyanawata\building_drops, inc\building_drops landing - common\projects\plyco corp\fbcc-24-0535 - fbc submittal - 014800 series 95ev steel doors - nami certificate update\dwg\14800_1\pco001.dwg 8/15/2024 11:09 AM



ANCHOR LAYOUT

- LEGEND:**
- × ANCHOR THROUGH INNER FRAME
 - ◇ ANCHOR THROUGH STRIKE PLATE (WHERE APPLICABLE)
 - + ANCHOR THROUGH OUTER FRAME
 - △ ANCHOR THROUGH HINGE

NOTE:
FOR WOOD & STEEL SUBSTRATES: MINIMUM OF SEVEN (7) TOTAL ANCHORS REQUIRED PER JAMB. NO ANCHORS AT HEAD OR SILL.
FOR CONCRETE/MASONRY SUBSTRATES: MINIMUM OF SIX (6) TOTAL ANCHORS REQUIRED AT LOCK JAMB & SEVEN (7) ANCHORS AT HINGE JAMB. NO ANCHORS AT HEAD OR SILL.
 WHEN DEAD BOLT IS USED TWO (2) ADDITIONAL ANCHORS ARE REQUIRED AT DEAD BOLT STRIKE PLATE.
 SEE SHEET 4 FOR SPECIFIC ANCHOR LOCATIONS.

*FOR MASONRY/CONCRETE INSTALLATIONS USE ONLY TWO (2) ANCHORS THROUGH STRIKE PLATE

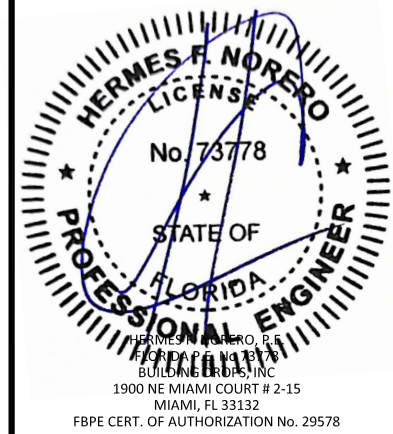


Plyco Corporation
 500 Industrial Rd.
 Elkhart Lake, WI 53020

TITLE: SERIES 95EV FLUSH STEEL INSWING DOOR (NON-HVHZ)(NON-IMPACT) ELEVATION & ANCHOR LAYOUT
 PREPARED BY: BUILDING DROPS, INC.
 1900 NE MIAMI COURT, STE. 2-15 MIAMI, FL 33132
 PH: (954)399-8478 FAX: (954)744-4738
 WEB: www.buildingdrops.com

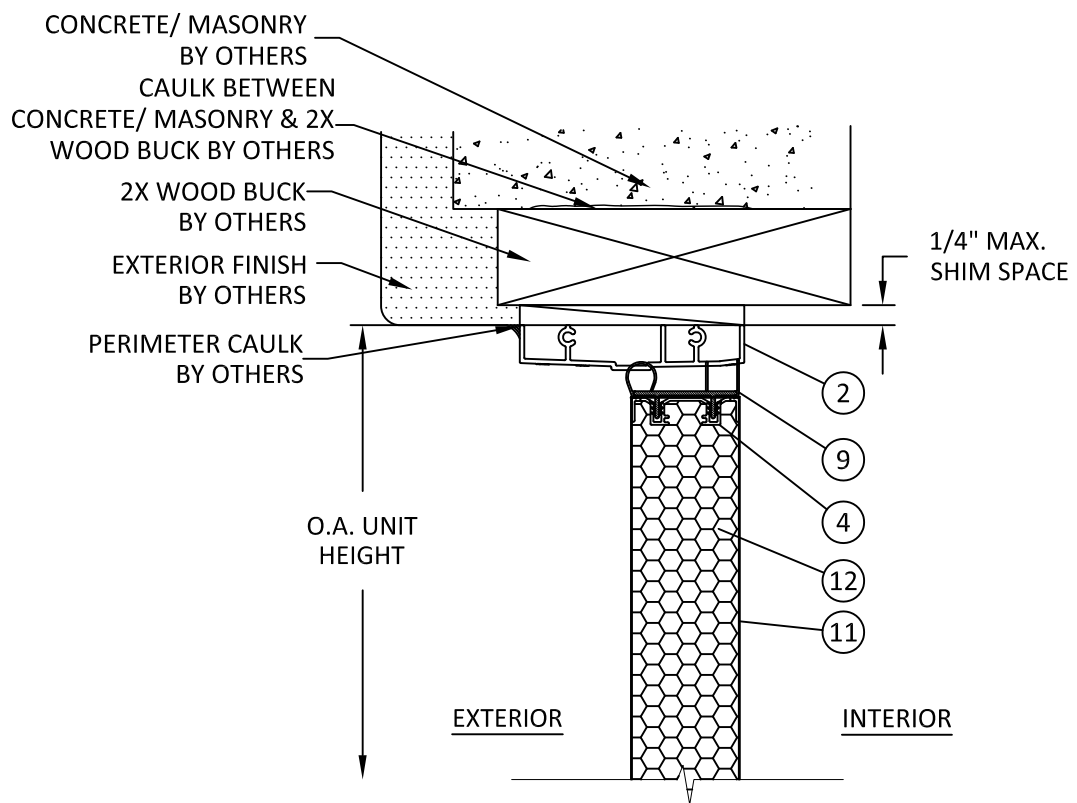
REMARKS	BY	DATE
FBC 2010 CODE CHANGE	GN	04.06.12
5TH ED. FBC CODE UPDATES	BB	05.21.15
7TH FBC CODE UPDATE	NUS	09.16.20
STANDARD UPDATE	DI	08.06.24

THE INSTALLATION DETAILS DESCRIBED HEREIN ARE GENERIC AND MAY NOT REFLECT ACTUAL CONDITIONS FOR A SPECIFIC SITE. IF SITE CONDITIONS CAUSE INSTALLATION TO DEVIATE FROM THE REQUIREMENTS DETAILED HEREIN, A LICENSED ENGINEER OR ARCHITECT SHALL PREPARE SITE SPECIFIC DOCUMENTS FOR USE WITH THIS DOCUMENT.

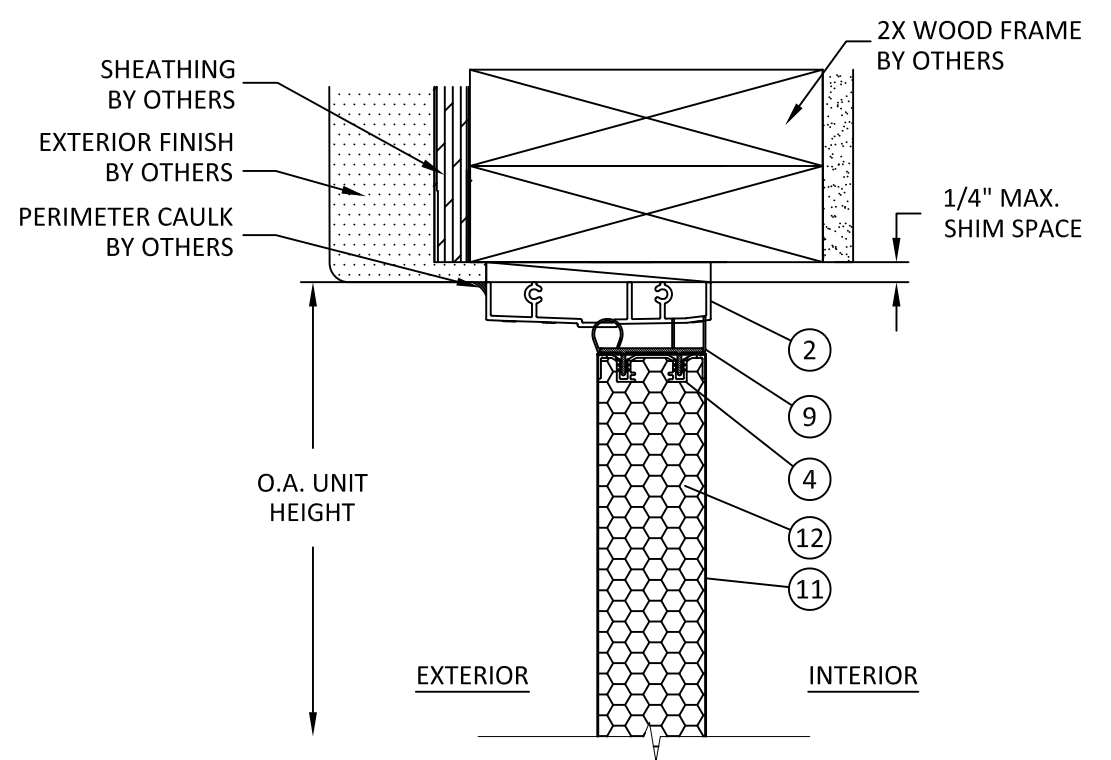


FL #:	FL14800
DATE:	07.21.11
DWG. BY:	JLA
CHK. BY:	HFN
SCALE:	NTS
DWG. #:	PCO001
SHEET:	2

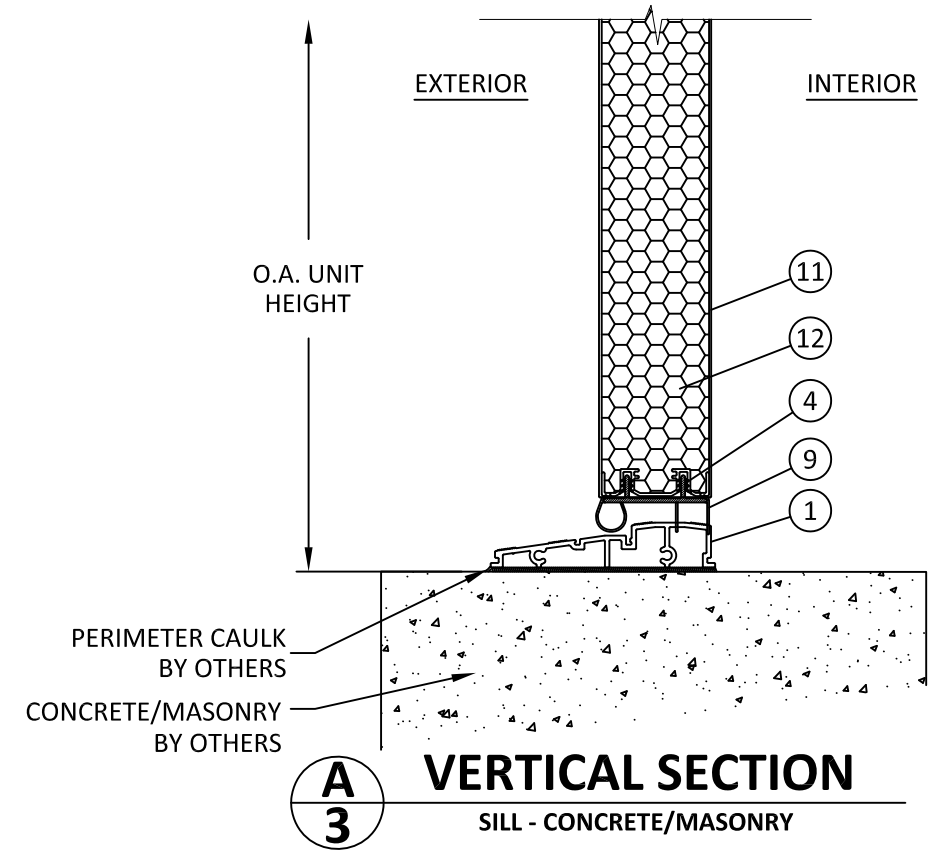
8/15/2024 11:09 AM
 c:\users\dylanwata\building_drops, inc\building_drops landing - common\projects\plyco corp\fbv-24-0535 - fbc submittal - f14800 series 95ev steel doors - nami certificate update\dwg\14800_1\pco001.dwg



B
3 **VERTICAL SECTION**
HEAD - 2X WOOD BUCK



C
3 **VERTICAL SECTION**
HEAD - 2X WOOD FRAME



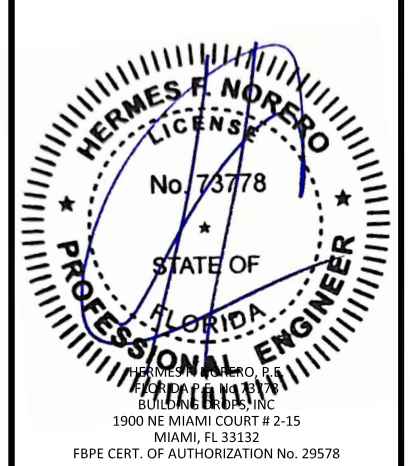
A
3 **VERTICAL SECTION**
SILL - CONCRETE/MASONRY

PLYCO
 Plyco Corporation
 500 Industrial Rd.
 Elkhart Lake, WI 53020

TITLE: SERIES 95EV FLUSH STEEL
 INSWING DOOR
 (NON-HVHZ)(NON-IMPACT)
 VERTICAL SECTIONS
 PREPARED BY:
BUILDING DROPS, INC.
 1900 NE MIAMI COURT, STE. 2-15
 MIAMI, FL 33132
 PH: (954)399-8478
 FAX: (954)744-4738
 WEB: www.buildingdrops.com

REMARKS	BY	DATE
FBC 2010 CODE CHANGE	GN	04.06.12
5TH ED. FBC CODE UPDATES	BB	05.21.15
7TH FBC CODE UPDATE	NUS	09.16.20
STANDARD UPDATE	DI	08.06.24

THE INSTALLATION DETAILS DESCRIBED HEREIN ARE GENERIC AND MAY NOT REFLECT ACTUAL CONDITIONS FOR A SPECIFIC SITE. IF SITE CONDITIONS CAUSE INSTALLATION TO DEVIATE FROM THE REQUIREMENTS DETAILED HEREIN, A LICENSED ENGINEER OR ARCHITECT SHALL PREPARE SITE SPECIFIC DOCUMENTS FOR USE WITH THIS DOCUMENT.



FL #: **FL14800**

DATE: **07.21.11**

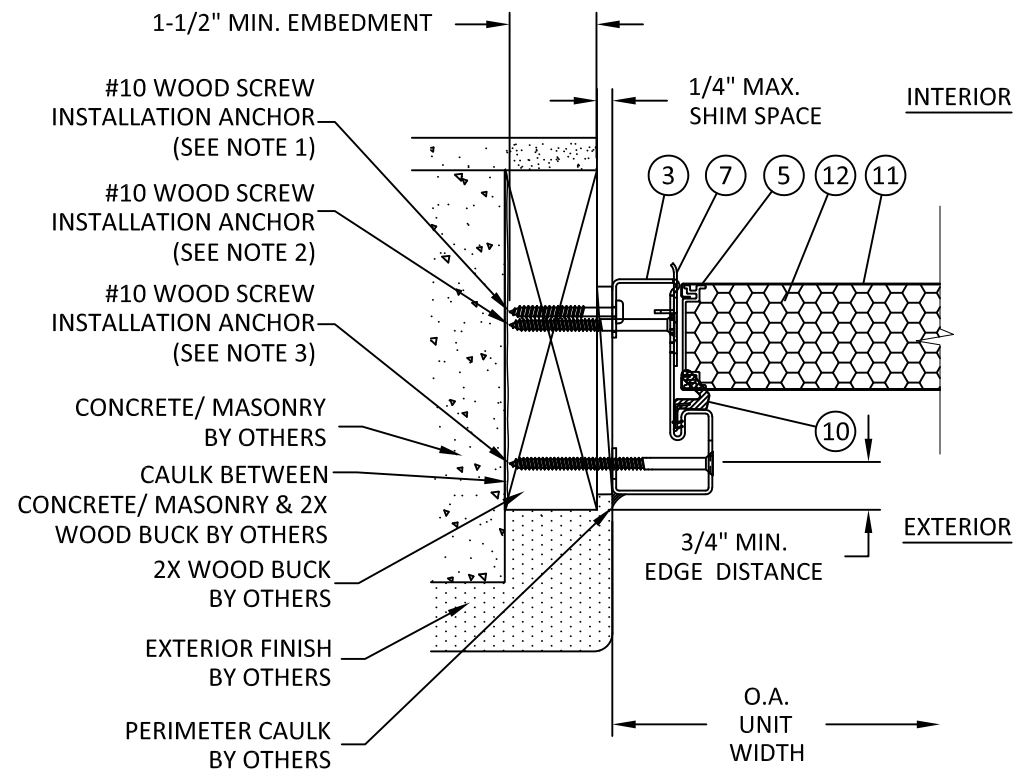
DWG. BY: **JLA** CHK. BY: **HFN**

SCALE: **NTS**

DWG. #: **PCO001**

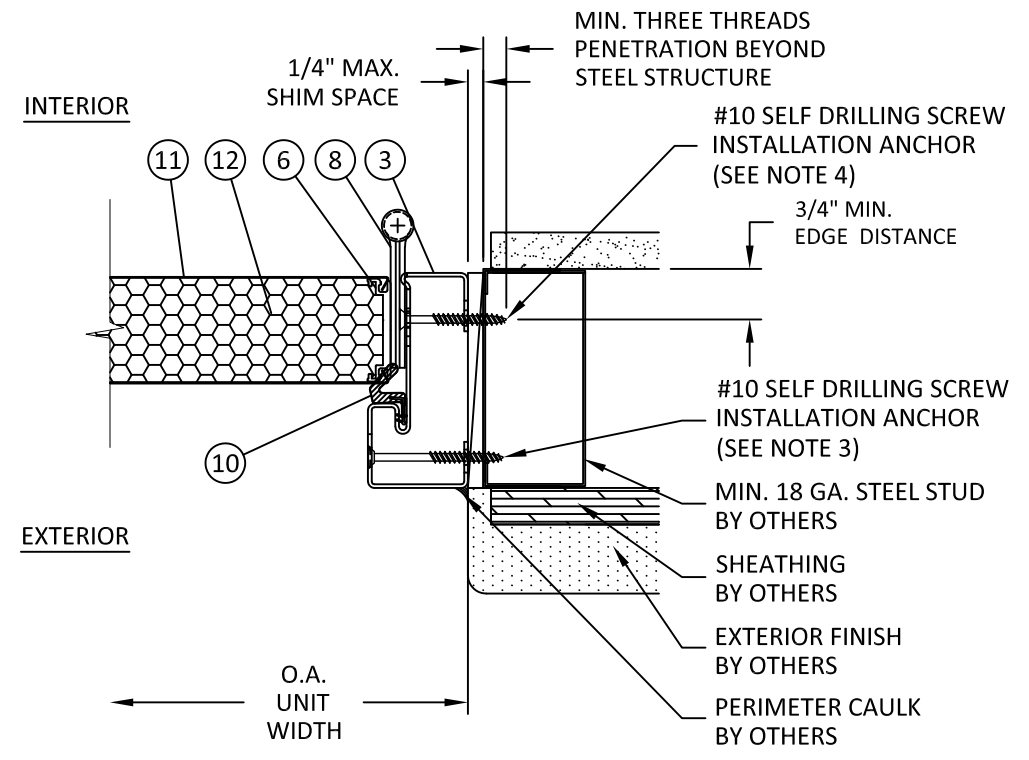
SHEET:
3
OF 5

8/15/2024 11:09 AM
 c:\users\dyanwata\building_drops, inc\building_drops, inc\projects\plyco corp\fbcc-24-0535 - fbc submittal - 014800 series 95ev steel doors - nami certificate update\dwg\14800_1\plyco001.dwg



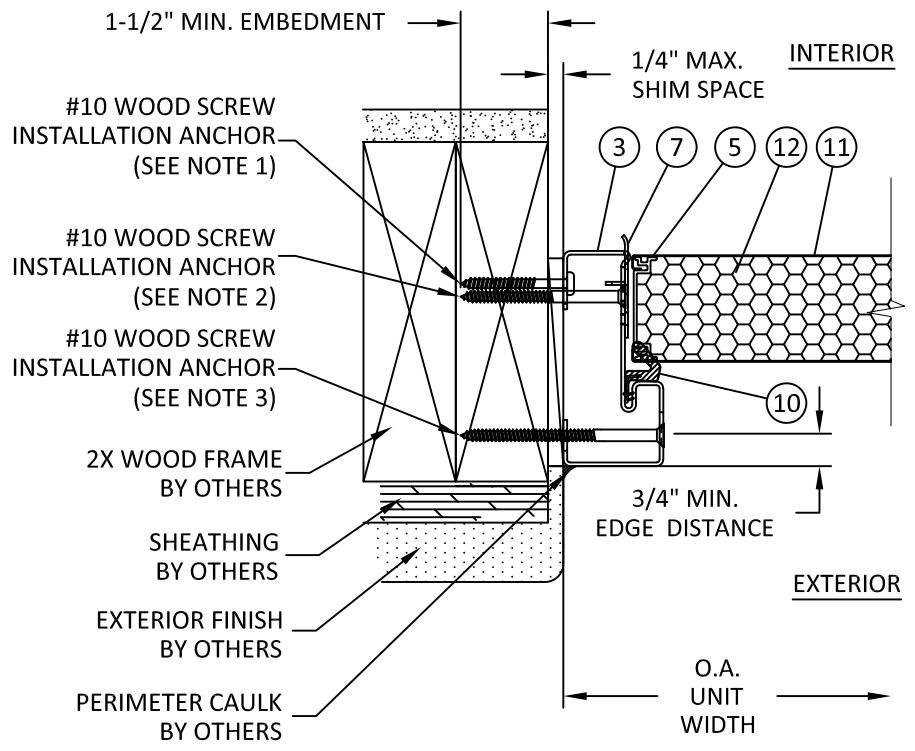
D
4 **HORIZONTAL SECTION**
JAMB - 2X WOOD BUCK, TYP.

ANCHOR NOTES:
 NOTE 1: ANCHOR THROUGH INNER FRAME
 NOTE 2: ANCHOR THROUGH STRIKE PLATE (WHERE APPLICABLE)
 NOTE 3: ANCHOR THROUGH OUTER FRAME
 NOTE 4: ANCHOR THROUGH HINGE

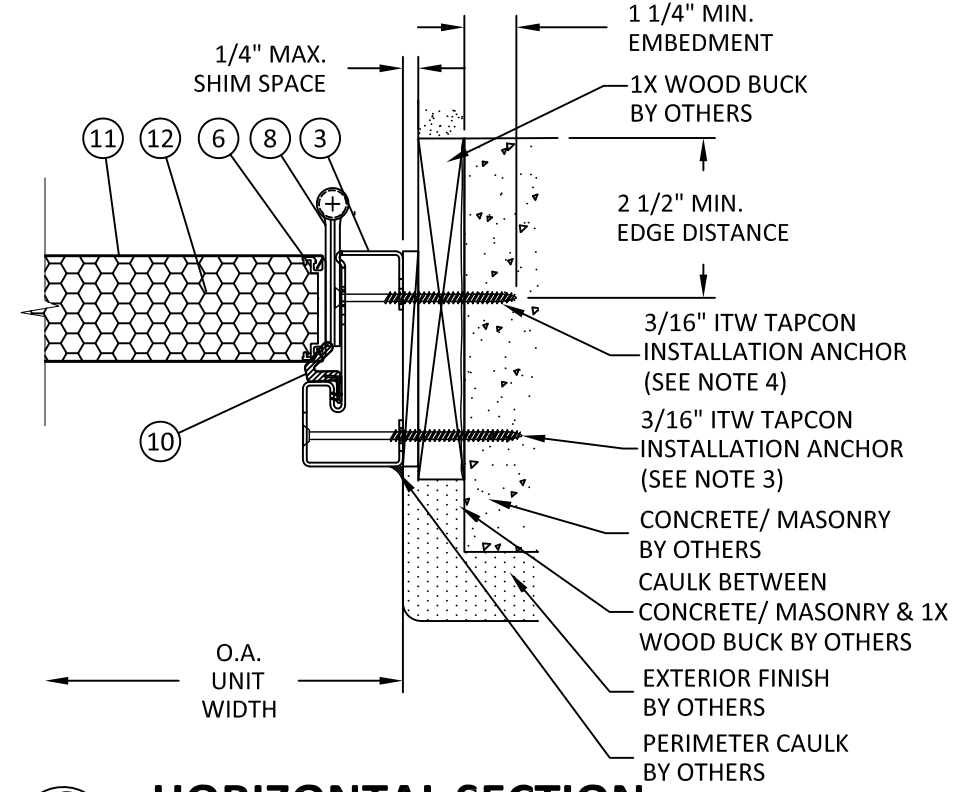


E
4 **HORIZONTAL SECTION**
JAMB - STEEL STUD, TYP.

ANCHOR SCHEDULE			
SUBSTRATE	ANCHOR TYPE	EMBEDMENT (IN.)	EDGE DISTANCE (IN.)
WOOD (MIN. S.G. = 0.55)	#10 WOOD SCREW	1.5	0.75
CONCRETE (MIN. F'C = 3,000 PSI) OR CMU (PER ASTM C90)	3/16" ITW TAPCON	1.25	2.50
METAL STUD (STEEL MIN. 18GA, Fy = 33ksi)	#10 SMS OR SELF DRILLING SCREW	3 THREADS PENETRATION BEYOND METAL WALL	0.50
1/4" MAX SHIM SPACE FOR ALL ANCHOR TYPES			



F
4 **HORIZONTAL SECTION**
JAMB - 2X WOOD FRAME, TYP.



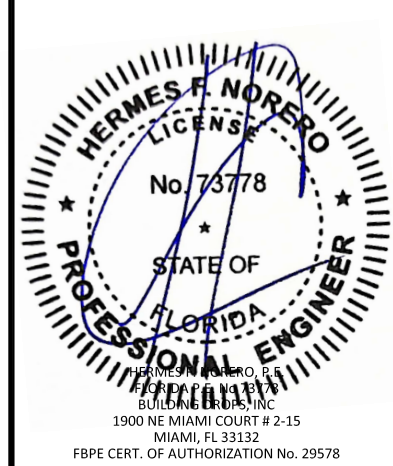
G
4 **HORIZONTAL SECTION**
JAMB - MASONRY/CONCRETE, TYP.

PLYCO
 Plyco Corporation
 500 Industrial Rd.
 Elkhart Lake, WI 53020

TITLE: SERIES 95EV FLUSH STEEL
 INSWING DOOR
 (NON-HVHZ)(NON-IMPACT)
 HORIZONTAL SECTIONS
 PREPARED BY: BUILDING DROPS, INC.
 1900 NE MIAMI COURT, STE. 2-15
 MIAMI, FL 33132
 PH: (954)399-8478
 FAX: (954)744-4738
 WEB: www.buildingdrops.com

REMARKS	BY	DATE
FBC 2010 CODE CHANGE	GN	04.06.12
5TH ED. FBC CODE UPDATES	BB	05.21.15
7TH FBC CODE UPDATE	NUS	09.16.20
STANDARD UPDATE	DI	08.06.24

THE INSTALLATION DETAILS DESCRIBED HEREIN ARE GENERIC AND MAY NOT REFLECT ACTUAL CONDITIONS FOR A SPECIFIC SITE. IF SITE CONDITIONS CAUSE INSTALLATION TO DEVIATE FROM THE REQUIREMENTS DETAILED HEREIN, A LICENSED ENGINEER OR ARCHITECT SHALL PREPARE SITE SPECIFIC DOCUMENTS FOR USE WITH THIS DOCUMENT.



FL #: **FL14800**
 DATE: **07.21.11**
 DWG. BY: **JLA** | CHK. BY: **HFN**
 SCALE: **NTS**
 DWG. #: **PCO001**

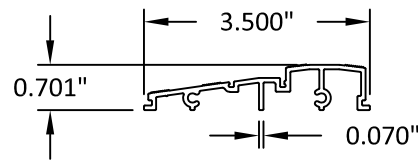
SHEET:
4
 OF 5

BILL OF MATERIALS

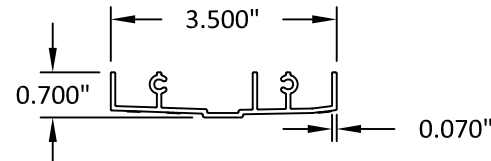
ITEM NO.	DESCRIPTION	PARTS NUMBERS	MATERIAL	MANUFACTURER
1	FRAME SILL	1647	6063-T5	MODERN DOOR
2	FRAME HEAD	1554	6063-T5	MODERN DOOR
3	FRAME JAMB	1539	STEEL	MODERN DOOR
4	HEAD & SILL RAIL	1838-1A	6063-T5	MODERN DOOR
5	STRIKE RAIL	1839	6063-T5	MODERN DOOR
6	HINGE RAIL	1840-B	6063-T5	MODERN DOOR
7	STRIKE PLATE	---	STEEL	MODERN DOOR
8	4" BUTT HINGE	---	STEEL	MODERN DOOR
9	DOOR SWEEP	---	PVC-ALCRYN	MODERN DOOR
10	WEATHERSTRIPPING	---	FOAM/Q-LON	SCHLEGEL
11	DOOR SKIN	---	0.015" STEEL	MODERN DOOR
12	PANEL CORE	---	POLYURETHANE	MODERN DOOR

NOTE: ALL EXPOSED STEEL COMPONENTS ARE GALVANIZED AND SHOP PRIMED.

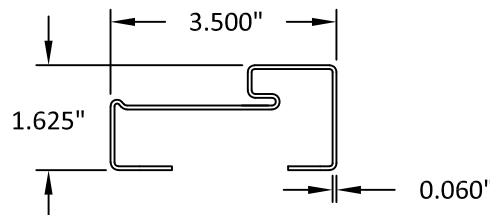
1 FRAME SILL
ALUMINUM 6063-T5



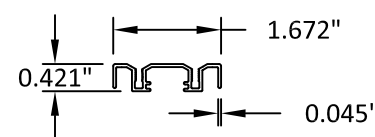
2 FRAME HEAD
ALUMINUM 6063-T5



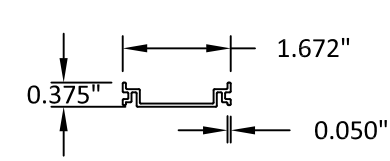
3 FRAME JAMB
16 GA. STEEL



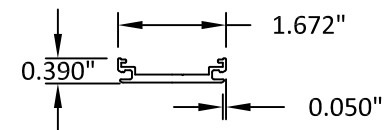
4 HEAD & SILL RAIL
ALUMINUM 6063-T5



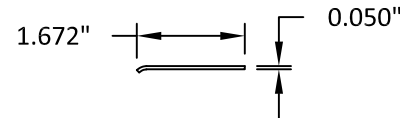
5 STRIKE RAIL
ALUMINUM 6063-T5



6 HINGE RAIL
ALUMINUM 6063-T5



7 STRIKE PLATE
18 GA. STEEL



8 4" BUTT HINGE
STEEL



9 DOOR SWEEP
PVC-ALCRYN



10 WEATHERSTRIPPING
FOAM FILLED Q-LON



PLYCO

Plyco Corporation
500 Industrial Rd.
Elkhart Lake, WI 53020

TITLE: SERIES 95EV FLUSH STEEL
INSWING DOOR
(NON-HVHZ)(NON-IMPACT)

COMPONENTS
& BILL OF MATERIALS

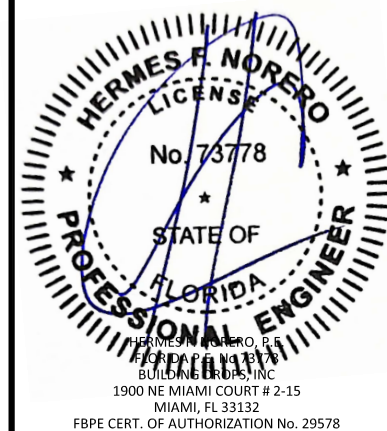
PREPARED BY: BUILDING DROPS, INC.

1900 NE MIAMI COURT, STE. 2-15
MIAMI, FL 33132
PH: (954)399-8478
FAX: (954)744-4738
WEB: www.buildingdrops.com



REMARKS	BY	DATE
FBC 2010 CODE CHANGE	GN	04.06.12
5TH ED. FBC CODE UPDATES	BB	05.21.15
7TH FBC CODE UPDATE	NUS	09.16.20
STANDARD UPDATE	DI	08.06.24

THE INSTALLATION DETAILS DESCRIBED HEREIN ARE GENERIC AND MAY NOT REFLECT ACTUAL CONDITIONS FOR A SPECIFIC SITE. IF SITE CONDITIONS CAUSE INSTALLATION TO DEVIATE FROM THE REQUIREMENTS DETAILED HEREIN, A LICENSED ENGINEER OR ARCHITECT SHALL PREPARE SITE SPECIFIC DOCUMENTS FOR USE WITH THIS DOCUMENT.



FL #: **FL14800**

DATE: **07.21.11**

DWG. BY: **JLA** CHK. BY: **HFN**

SCALE: **NTS**

DWG. #: **PCO001**

SHEET:

5

OF 5